



ROLLING SHUTTER OR GRILL ASSEMBLY GUIDE
Installation guide for dealers and installers

1-866-783-2105



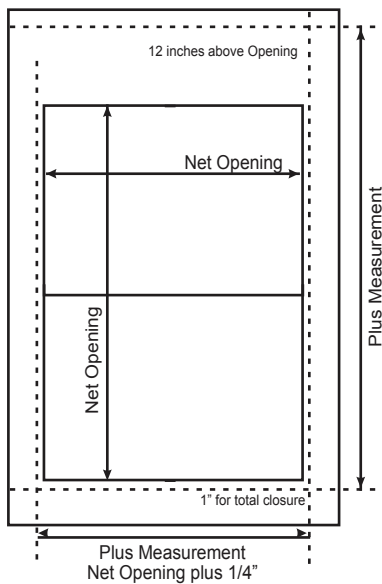
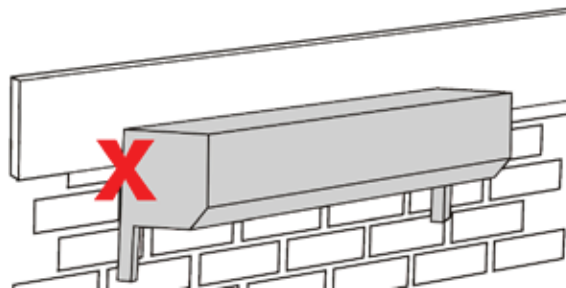
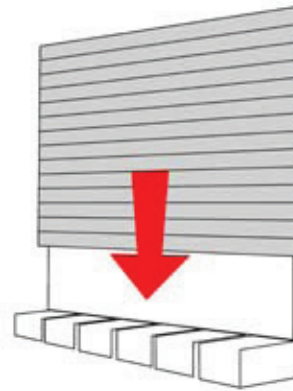
Tools & Parts Required

- Powered drill
- 1/2" & 1/4" bit
- 3-4' level
- Needle nose pliers
- Taper measure
- Correct sized ladders
- Caulk and gun
- Hand saw
- 2 rails
- Assembled housing
- Slat curtain (prepared)
- Necessary screws
- Plug buttons
- Operator accessories

This guide is meant as an outline only. Each job may vary depending on the existing structure.

1. Preparation

Check surface for any obstructions. This includes base boards, soffits, lighting sources, and other opening obstructions. These items may need to be removed in order to continue shutter installation.



2. Check Opening

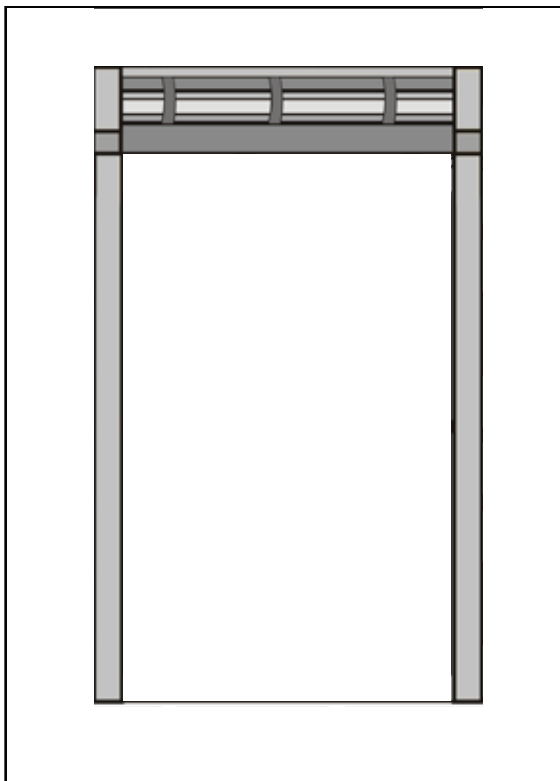
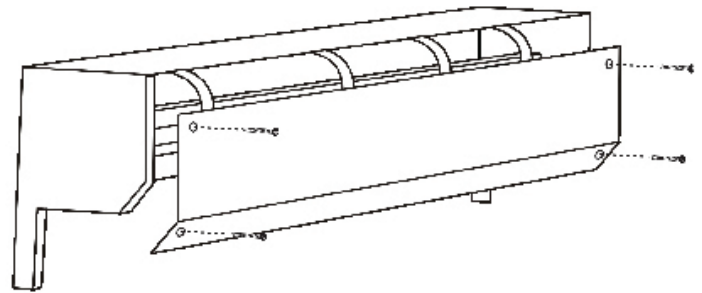
Opening should be free of any items up to a foot above the opening and two inches below the bottom of the opening and the width of the rails

¹ In some cases, the bottom sill of the opening is solid and can be used as the bottom closing point of the shutter.

² The bottom of the housing cover will be above of the opening

3. Remove Box Cover

Remove the front/ bottom section of the box cover by unscrewing the fasteners attached to the front of the housing. There will be between two and four screws. (Pop rivets may also be used in place of screws)

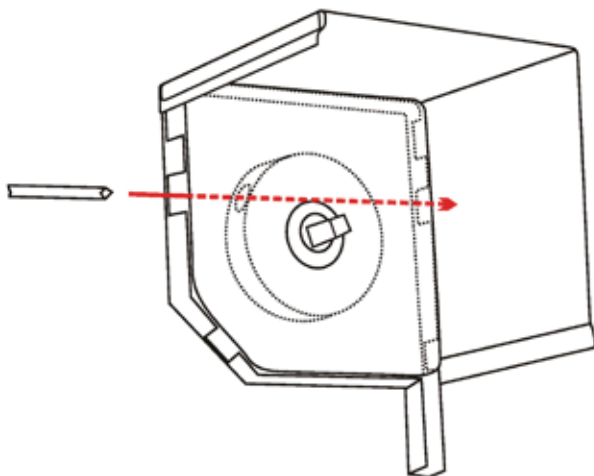
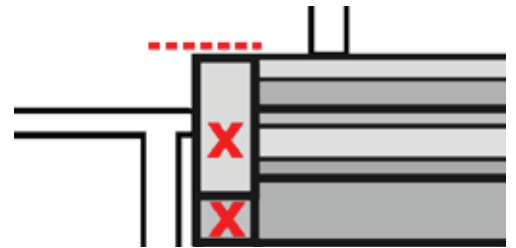


4. Align Shutter to Opening

Check the shutter against the window to ensure the shutter is a perfect fit. Allow enough room for the box so the base slat will not obstruct the window when the shutter is fully open. This is generally two inches above the bottom of the box. Also check for the length of the rails for accuracy.

5. Measuring and placing roll housing

Mark the brick at the top of the box cover. Determine the location the operator should penetrate the wall. The universal will be located in one of two places marked below.

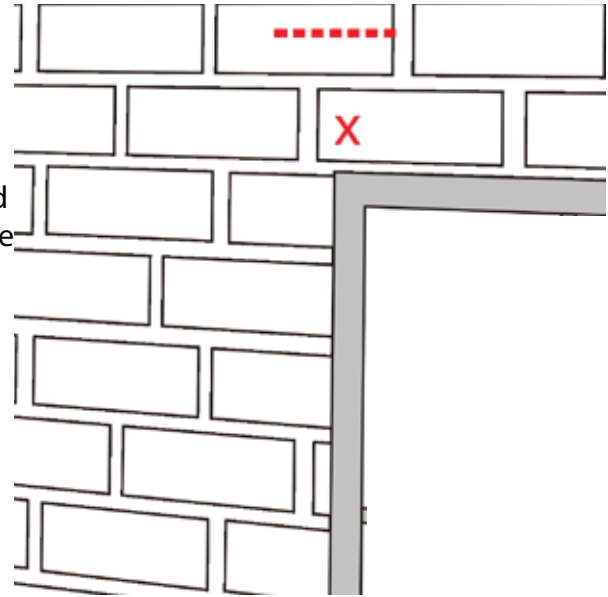


6. Measure & mark drill points

Use the universal shaft to score the brick, marking the place to drill.

7. Drilling the Holes

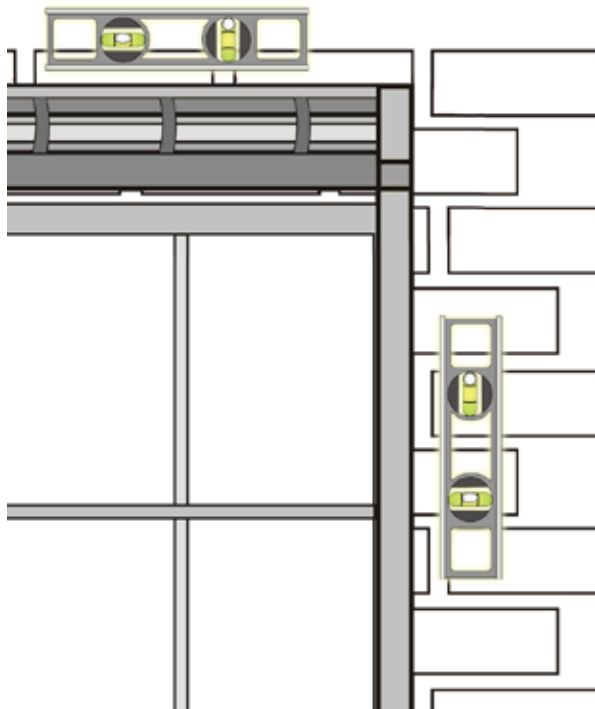
Begin drilling the hole at the appropriate mark with a half inch drill bit. When drilling, be sure to go slow and be careful not to drill into any place where wires are likely to be hidden behind the surface. Drilling will need to be done the entire way through the wall, and into the interior of the home.



1/2"
drill bit
required

- ⚠ Be sure to maintain the angle of entry necessary so the gear is operable.
- ⚠ When drilling into the home, be sure that the other side of the wall is clear and be careful not to create a hole wider than necessary.

1/2"



8. Level Shutter on Wall

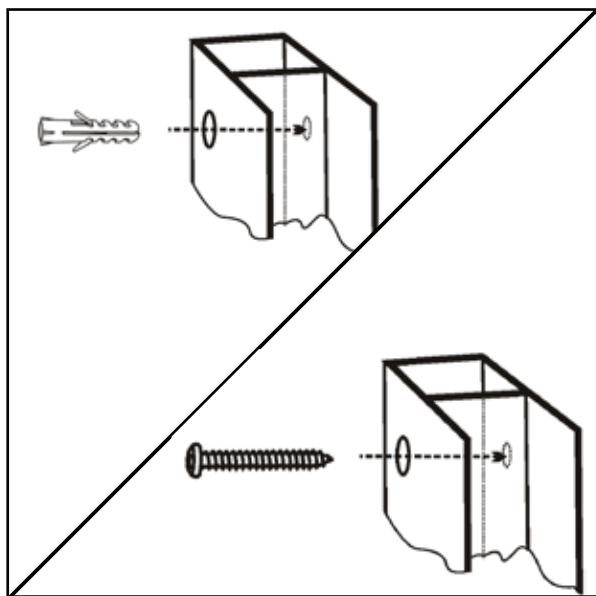
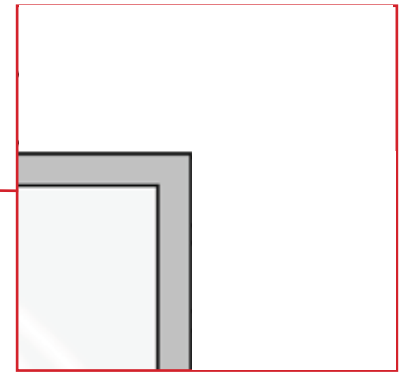
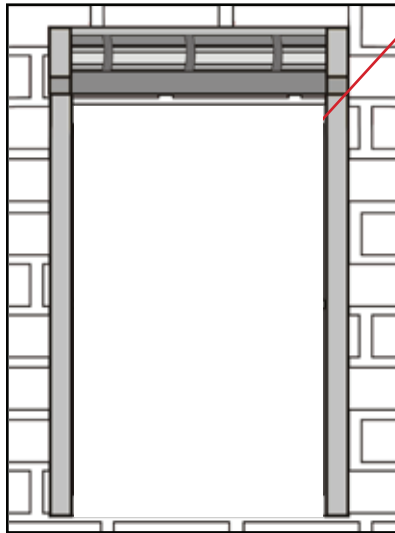
Place the shutter and rails against the brick and hold, while the box is made level. Once the box is level, align the rails to be visibly plumb. Using the tip of the drill, score the brick to mark the place to begin drilling.

9. Drilling Pilot Hole

Remove the rail and drill a hole into the marked place using a 1/4" bit.



1/4"

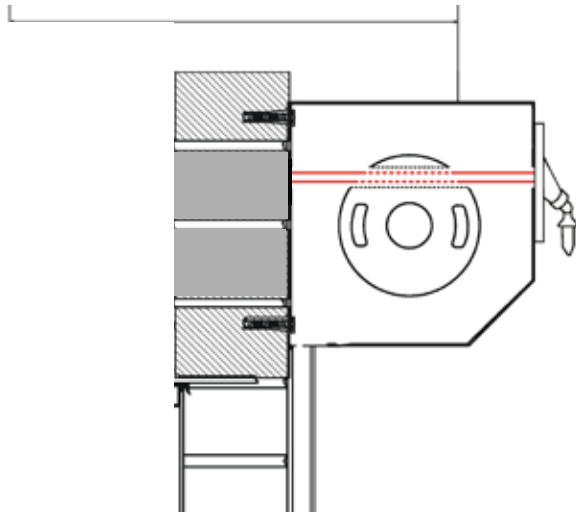
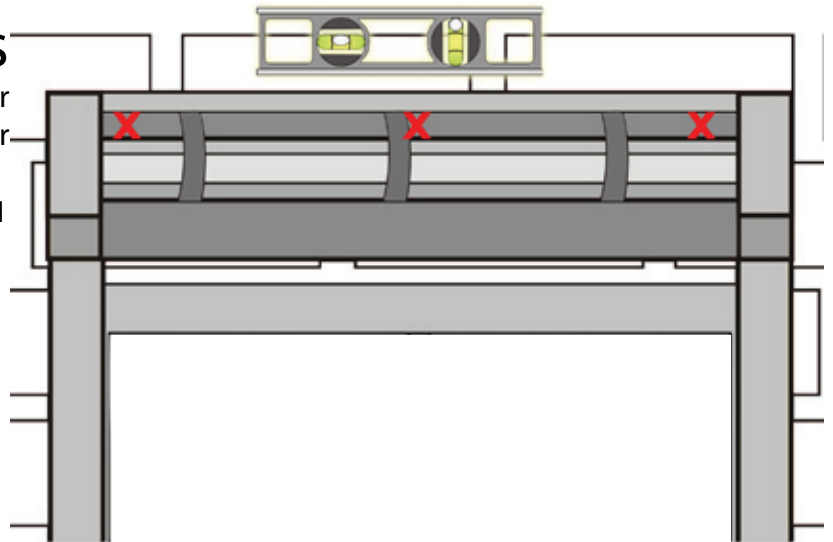


10. Drilling rail holes & fastening to the wall

Once the hole is drilled, use the drill tip to push the nylon fastener into the hole. Replace the Rails, and turn the screw into the nylon fastener through the predrilled holes in the rail.

11. Level & Install Screws

Use a level to set the rail plumb, and follow the procedure in step 10 to install the rest of the fastener but without removing the rails. Instead, drill the holes directly through the rails. Repeat steps 8-11 for the other side.



12. Attach Box

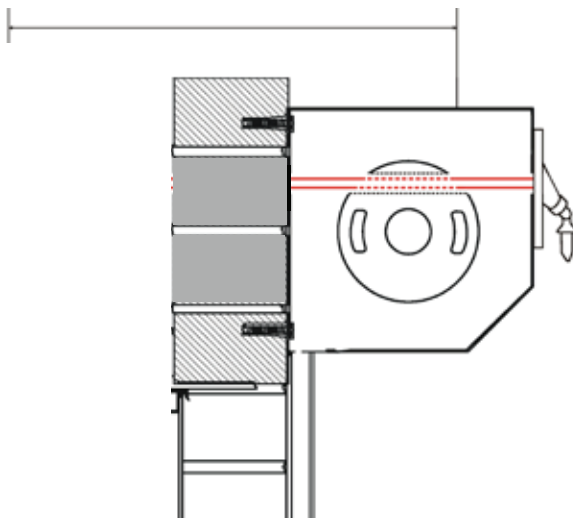
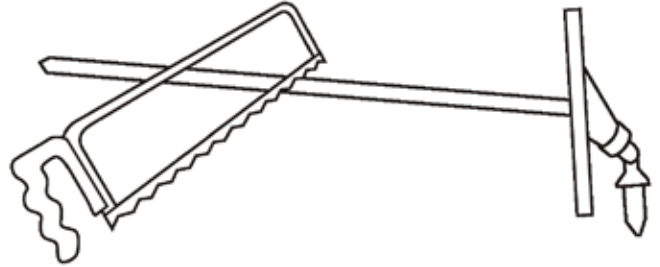
After the rails are attached to the house, attach the box using the same type screws as the rails.

- To place the screws, hold the box in place and drill through the housing and into the brick using a 1/4" drill bit.
- Use the tip of the bit to push the nylon fastener into the hole and drill the screw into the nylon fastener.
- Place the screws evenly apart, and be sure that the box is level before securing more than one screw.

13. Measure & Cut Universal

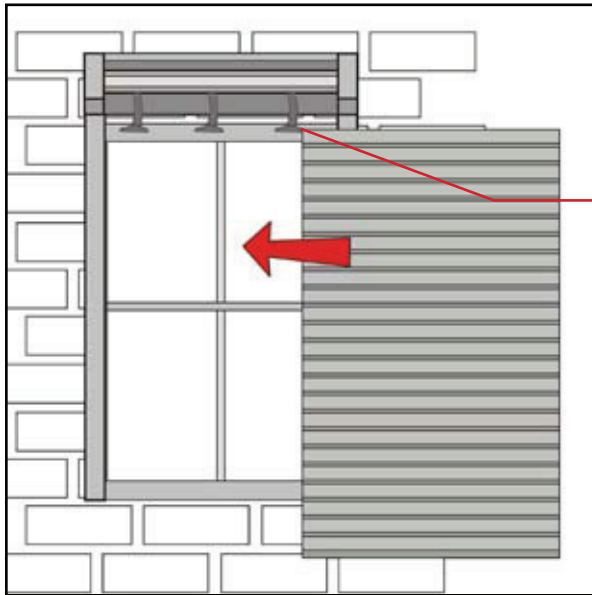
Once the box is attached, the universal will be measured and installed.

- Thread the universal shaft through the appropriate hole in the box, and into the gear
- Mark the point from wall on universal and deduct approximately three inches for the desired shaft length.
- Saw the universal at the measured length.



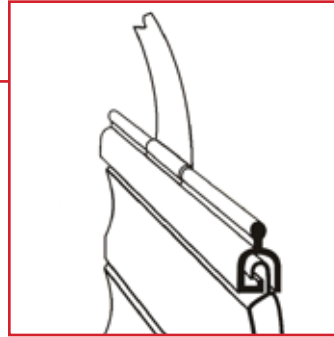
14. Installing the Universal

Thread the universal shaft through the holes from the in front of the box. Once in place, attach the universal to the box cover using the screws provided.



15. Attaching Slat Curtain

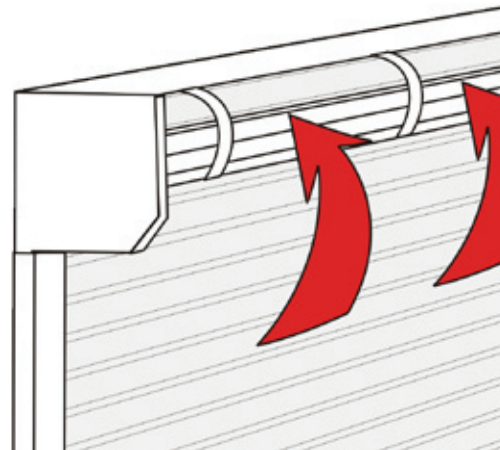
Thread the top slat into each of the slat hangers.



Most shutters from ChicagOne will be pre-loaded and will be installed on a tubing ring instead of the slat hangers.

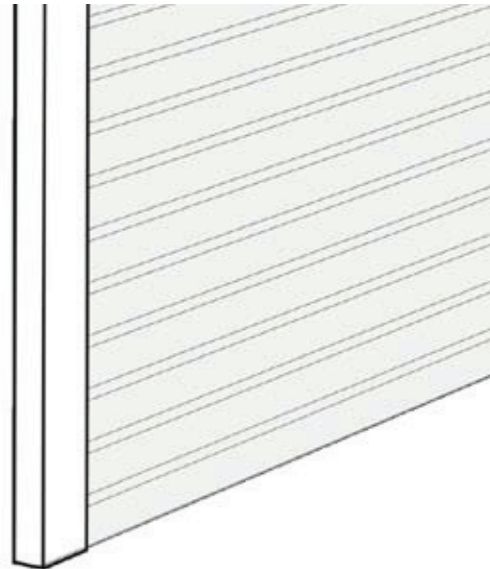
16. Set Slat Curtain in Rails

When the slats are attached to all of the slat hangers, wrap the shutter around the roller tube to prepare to thread the slats between the rails. Slats should move easily between the rails, all the way up and down.



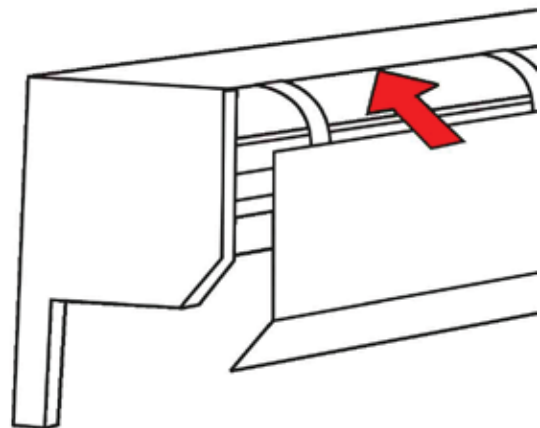
17. Roll up Slats

Once the slats are set between the rails, roll all of the slats onto the axle.



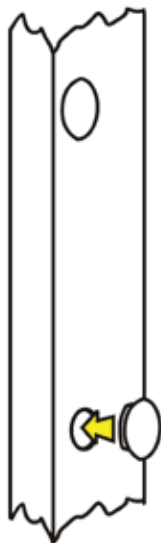
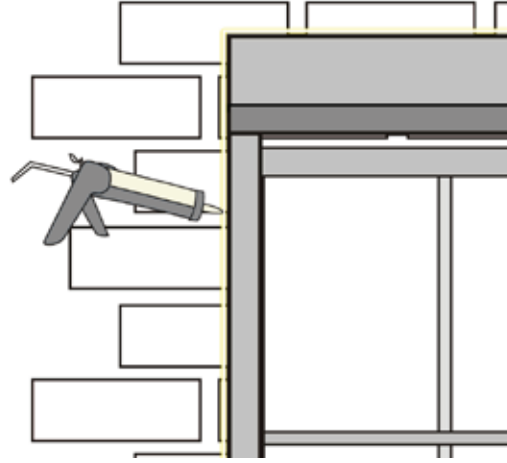
18. Replace Cover

Replace the front / bottom box cover and secure with pop ri



19. Caulk Rails & Box

Caulk the edges of the box and rails making sure the edges are insulated, if necessary.



20. Insert Plugs

Insert the plug buttons into the remaining holes in the rails.



Notes



The previous instruction set illustrates one possible example of an installation of rolling shutters.

The details of every shutter installation are different and unique not only to the store, but also to the opening.

If you encounter a situation and are unsure of what to do, please call before proceeding.

Follow the prompts to get to the service dept.

Toll Free 1.866.783.2105

Local 1.773.783.2105

Web www.chicagone.com